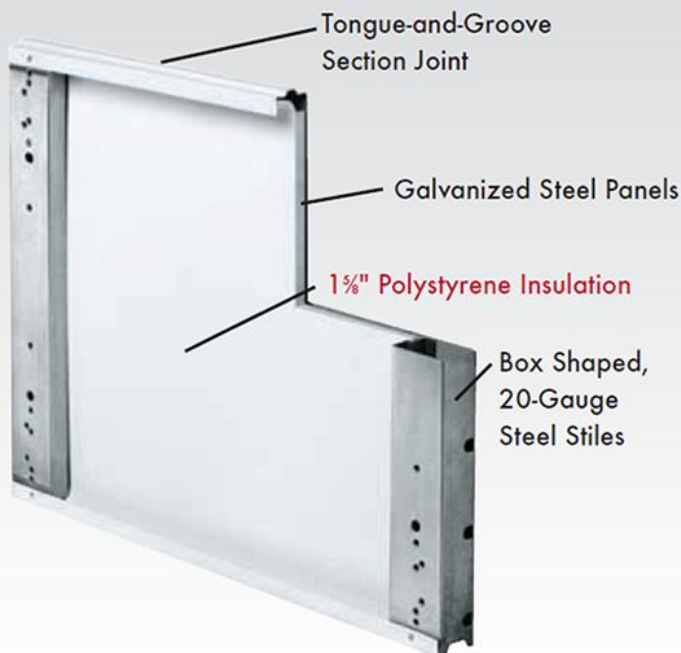


# AMERICAN AMERICAN

Model 301 I



## American 301 I Insulated Garage Door • 6.8 R-Value



- **2" Thick Door Sections** with full box shaped, 20 gauge stiles for added strength and rigidity. Expanded polystyrene insulation has an R-value of 6.8.
- **25-Gauge Steel Panels** for superior strength and durability.
- **Tongue-and-Groove Section Joints** with full width bottom weather seal to protect against wind and rain. Helps keep garage interior moisture free.
- **Galvanized Finish** with woodgrain textured surface provides beauty, adds strength and protection.
- **Colors** The American 301 I raised panel sections are available in white, taupe or almond, but can be painted any color to match your home.
- **10-Year Warranty**

# American Garage Doors

American garage doors are known for making good first impressions. Lasting impressions, too. Every American garage door is engineered for smooth, dependable operation. Each is carefully constructed from select materials for longer life. Even more importantly, the beauty of a quality American garage door adds to any home's appreciation.

**Here are some of the features of the American 301 I:**

**Colonial** Popular panel designs provide added dimension to door exterior.

**Top Glazing** Windows are built into top section of door.

**Intermediate Glazing** Windows are built into intermediate section of door.

**Window Frames** Pre-caulked window seals for easy changing.

**Insulation** Helps keep garage warmer in winter, cooler in summer.

**Hardware** Quality 18-gauge hinges (heavier 14-gauge hinges are available at extra cost).

**Springs** Select hard drawn, high-tensile wire extension springs or smooth operation, long-life oil-tempered torsion springs.

**Paintable** American 301 I steel garage doors are prefinished in your choice of white, taupe or almond, however, they can be painted to match the home's exterior trim.



## Window Options

StyleLine™ Design Inserts

Cathedral I

Sherwood I

Stockton I

Williamsburg I

Cascade I

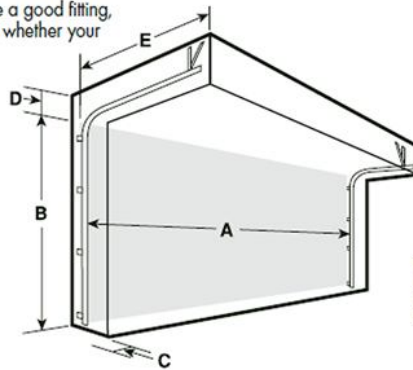
Waterton I

## How to Measure

The dimensions illustrated below are critical to ensure a good fitting, smooth operating garage door. You'll get a great fit, whether your door is installed professionally or you do it yourself.

**NOTE:** If door is motor operated, allow an extra 2.5" headroom and 12" depth.

- (A) Width, finished door opening.
- (B) Height, finished door opening.
- (C) Sideroom, distance from edge of finished door opening to wall or other obstruction.
- (D) Headroom, distance from top of finished door opening to ceiling or underside of joists.
- (E) Depth, distance from finished door opening back to furthestmost point where hardware or electric opener will extend.



This clearance chart will help you determine if you need any special hardware because of space restrictions. 12" Radius Track is standard.

CLEARANCE CHART	Headroom (D)	Sideroom (C)	Depth (E)
12" Radius Track	11"	3 1/2"	Opening Height Plus 14"
12" Radius Track with Low Headroom Kit	7"		
Double Track Low Headroom	6"	3 1/2"	Opening Height Plus 24"

For example, if your Headroom (D) measures between 7" - 11" you will need a low headroom kit (sold separately).

**Garage Door Specialty, Inc.**  
**8000 Hwy 147**  
**Two Rivers, WI 54241**  
**920-794-1123**

### Ten-Year Warranty American 301 I

American provides a ten-year warranty against deterioration such as cracking or splitting due to rustthrough and a limited one-year warranty for workmanship and material.